

Universal joint shafts with friction bearing with longitudinal compensation

SPECIFICATION

Bore code

- Version **K**: with keyway

Steel blank

Joint bearing areas / pins / bearing sleeves
case hardened

INFORMATION

Universal joint shafts with friction bearing GN 808.2 not only join the offset between two shafts, but also enable the alignment of lengths, which depending on the overall length l_1 enables the corresponding extraction length l_2 . The power transmission is achieved by two universal joints DIN 808 (see page 1126) (type EG) a splined shaft and a sliding sleeve.

It is important to check the accuracy when connecting the splined shaft to the sliding sleeve: The markings $\rightarrow <$ have to be opposite to each other. Any kind of misconnection leads to an inhomogeneous output and to a quick abrasion.

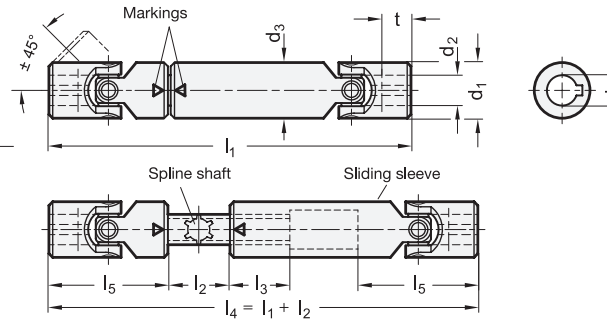


ON REQUEST

- different length $l_1 - l_2$
- Bores without keyway
- Bores with square
- Bores with hexagon
- with other or unequal bores
- Version in Stainless Steel

TECHNICAL INFORMATION

- Permissible r.p.m. and torque (see page 1124)
- Keyway DIN 6885 (see page A16)
- Cross holes GN 110.1 (see page A17)
- ISO-Fundamental Tolerances (see page A21)



GN 808.2

Description	d1	d2 H7	l1-l2	d3	l3	l5	t +1	Δ
GN 808.2-22-K10-140-30	22	K 10	140-30	22	30	48	12	310
GN 808.2-22-K10-160-40	22	K 10	160-40	22	30	48	12	368
GN 808.2-22-K10-180-60	22	K 10	180-60	22	30	48	12	400
GN 808.2-22-K10-230-100	22	K 10	230-100	22	30	48	12	500
GN 808.2-25-K12-160-30	25	K 12	160-30	26	40	56	13	502
GN 808.2-25-K12-180-45	25	K 12	180-45	26	40	56	13	554
GN 808.2-25-K12-200-70	25	K 12	200-70	26	40	56	13	620
GN 808.2-25-K12-250-105	25	K 12	250-105	26	40	56	13	750
GN 808.2-25-K12-300-150	25	K 12	300-150	26	40	56	13	900
GN 808.2-28-K14-170-30	28	K 14	170-30	29	40	60	13	630
GN 808.2-28-K14-200-60	28	K 14	200-60	29	40	60	13	719
GN 808.2-28-K14-220-80	28	K 14	220-80	29	40	60	13	785
GN 808.2-28-K14-280-140	28	K 14	280-140	29	40	60	13	990
GN 808.2-28-K14-350-200	28	K 14	350-200	29	40	60	13	1140
GN 808.2-28-K14-400-250	28	K 14	400-250	29	40	60	13	1330
GN 808.2-32-K16-190-30	32	K 16	190-30	32	40	68	16	900
GN 808.2-32-K16-210-40	32	K 16	210-40	32	40	68	16	980
GN 808.2-32-K16-240-80	32	K 16	240-80	32	40	68	16	1093
GN 808.2-32-K16-275-115	32	K 16	275-115	32	40	68	16	1245
GN 808.2-32-K16-380-210	32	K 16	380-210	32	40	68	16	1600
GN 808.2-32-K16-400-230	32	K 16	400-230	32	40	68	16	1730

GN 808.2

Description	d1	d2 H7	l1-l2	d3	l3	l5	t +1	Δ
GN 808.2-36-K18-230-50	36	K 18	230-50	37	40	74	17	1368
GN 808.2-36-K18-270-100	36	K 18	270-100	37	40	74	17	1560
GN 808.2-36-K18-290-110	36	K 18	290-110	37	40	74	17	1665
GN 808.2-36-K18-400-220	36	K 18	400-220	37	40	74	17	2225
GN 808.2-36-K18-500-320	36	K 18	500-320	37	40	74	17	2750
GN 808.2-42-K20-250-50	42	K 20	250-50	42	45	82	18	1990
GN 808.2-42-K20-290-90	42	K 20	290-90	42	45	82	18	2250
GN 808.2-42-K20-320-120	42	K 20	320-120	42	45	82	18	2400
GN 808.2-42-K20-420-220	42	K 20	420-220	42	45	82	18	3130
GN 808.2-42-K20-500-300	42	K 20	500-300	42	45	82	18	3660
GN 808.2-45-K22-270-50	45	K 22	270-50	47	50	95	22	2200
GN 808.2-45-K22-330-100	45	K 22	330-100	47	50	95	22	3010
GN 808.2-45-K22-470-240	45	K 22	470-240	47	50	95	22	4140
GN 808.2-50-K25-295-50	50	K 25	295-50	52	50	108	26	3400
GN 808.2-50-K25-350-100	50	K 25	350-100	52	50	108	26	3920
GN 808.2-50-K25-420-170	50	K 25	420-170	52	50	108	26	4605
GN 808.2-50-K25-500-245	50	K 25	500-245	52	50	108	26	4130
GN 808.2-58-K30-330-50	58	K 30	330-50	58	60	122	29	4880
GN 808.2-58-K30-370-85	58	K 30	370-85	58	60	122	29	5420
GN 808.2-58-K30-400-110	58	K 30	400-110	58	60	122	29	5880
GN 808.2-58-K30-500-220	58	K 30	500-220	58	60	122	29	7140